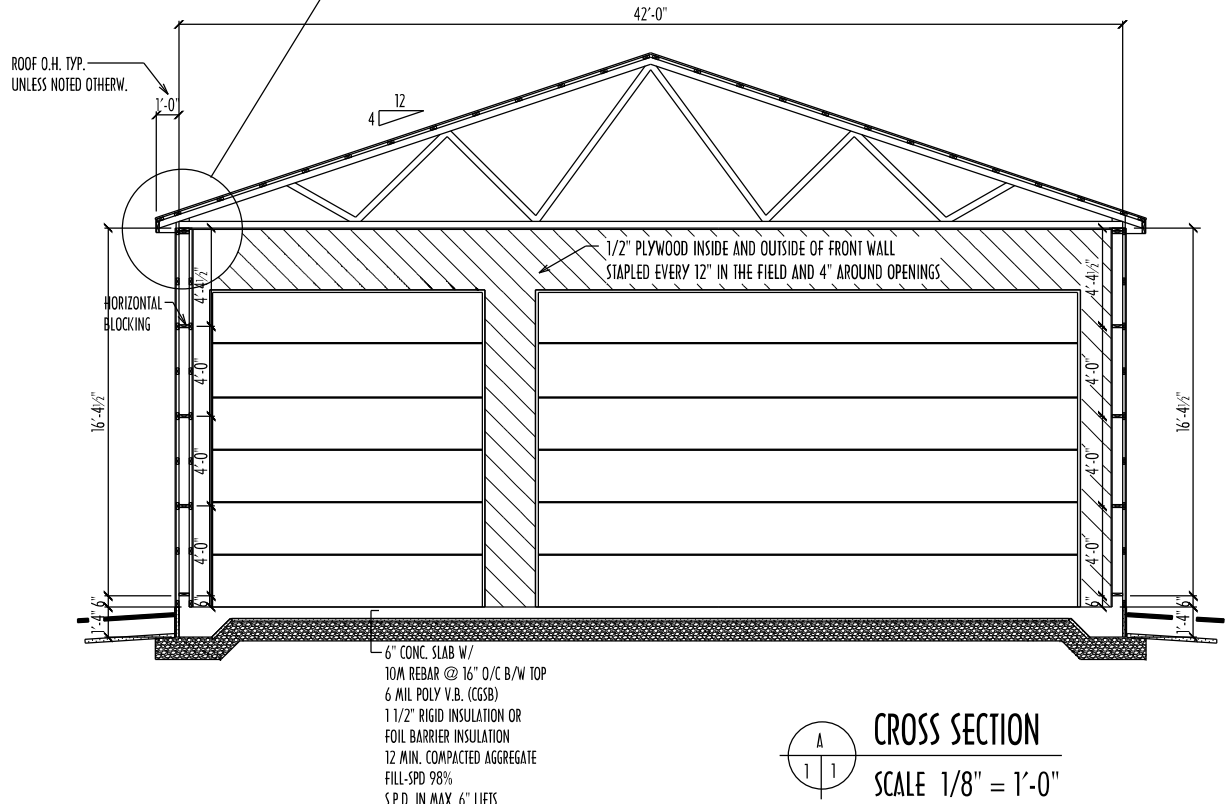
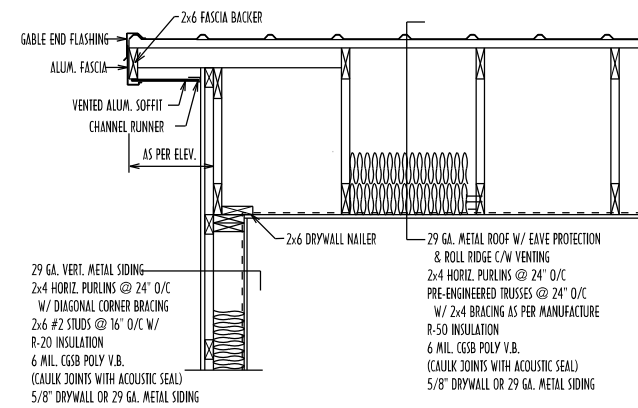
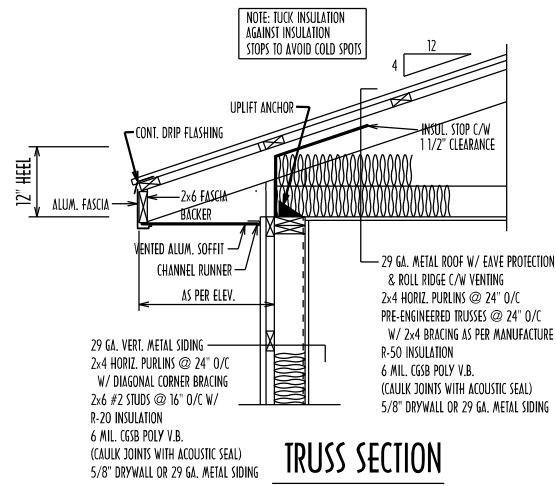


NOTE:
ELECTRICAL SYMBOLS AS GUIDELINE ONLY
ELECTR. CONTRACTOR TO CONFIRM ON SITE



MAIN FLOOR PLAN
SCALE: 1/8" = 1'-0"
ADDITION AREA 1680 SQ. FT.

La Broquerie Lumber

BOX 530, LA BROQUERIE, MB, ROA0W0
PH. 424-5333, FAX 424-5072

PROJECT:
SPRAGUE FIRE HALL

BUILDING LOCATION: SPRAGUE, MB

TITLE:
FLOOR PLAN, CROSS SECTION

DATE: MAY 17 / 2018	DRAWN BY: E.S.	PROJECT #: 024-18	PAGE: 1 / 3
------------------------	-------------------	----------------------	----------------